

Hardware RAID Port Multiplier

RAID_PM

User's Manual

Introduction

Hardware RAID Port Multiplier is 1-to-5 SATA Port Multiplier designed to provide a high performance link between a single SATA host port and 5 SATA device ports. With its unique data aggregation capability and 3Gbps serial link capability, the product is able to take full advantage of 3Gbps host link bandwidth and FIS-based switching host controllers by bundling together data from device ports and sending it over the 3Gbps host link.

Additionally, the product chipset contains a SATA enclosure management bridge (SEMB) to pass in-band enclosure management information between the host and an enclosure management device. Other important features include programmable high drive capability for backplane and external applications, asynchronous notification to eliminate the need for host polling to determine if a device has been added or removed.

Features

- Hot Plug support
- Supports Asynchronous Notification
- SATA Port Multiplier spec. complaint
- Supports PM aware hosts and non-PM aware
- eSATA signal level support (1m and 2m PH compliant)
- Compatible with NCQ SATA drive
- Advanced data aggregation architecture for ultra-fast read and write operations with FIS-based switching controllers
- 1.5Gpbs or 3Gpbs link rate with auto-negotiation
- Support JBOD, RAID 0, RAID 1, RAID 0+1, RAID5

System Requirements

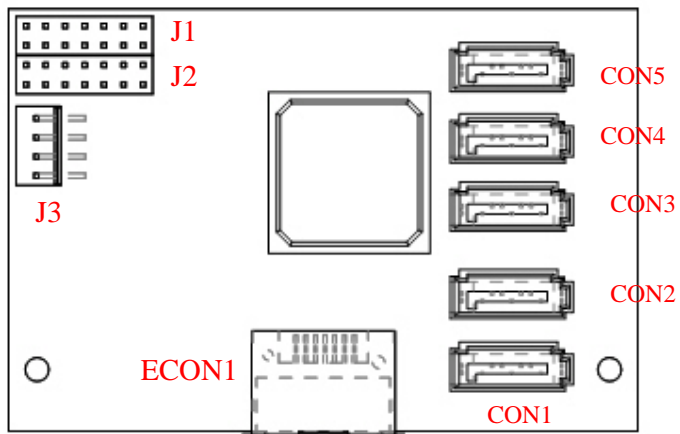
- An available SATA port
- Operating System Support : Windows 2000 / XP / 2003 / VISTA, MAC OS X.x and Linux

Package Contents

Following items are included in the packaging box:

- Hard ware RAID Port Multiplier x1
- User's Manual * 1 x1
- A Drivers CD x1

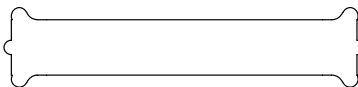
Hardware Installation



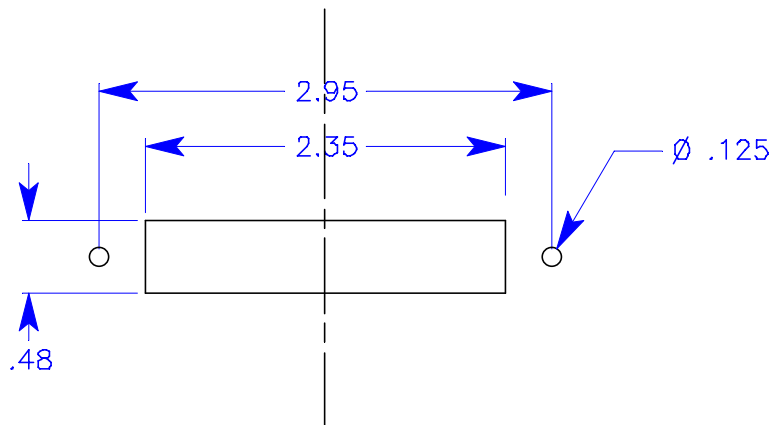
PIN assignment		Description
J1	Pin 1~10	Con1~Con5 Read/Write status
	Pin 11~12	Econ1 Read/Write status
	Pin 13~14	Power Led
J2	Pin 13~14	Reset
J3		Mini Power
CON1~CON5		SATA device port
ECON1		eSATA host port

Mounting Recommendation

Using existing SCSI cut out enclosure

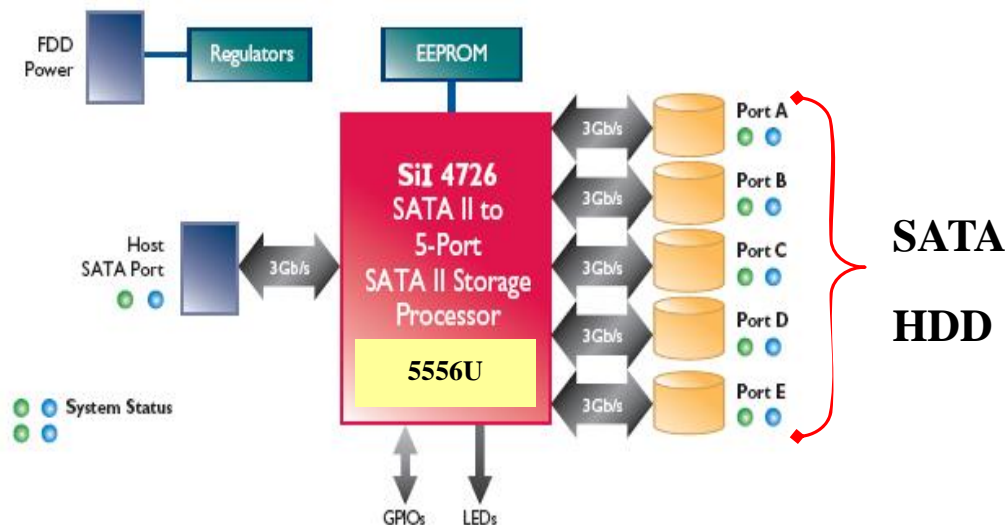


Custom cut out



You can also use this as an internal adapter in computer system to provide a hardware RAID SATA solution

Device Functional Block Overview:



For further set up base on OS, please refer to RAID_PM folder included in CD, or download the latest at follow links:

Linux:

<http://www.siliconimage.com/docs/SteelVine4726-QIG-Linux-1.1.pdf>

GUI utility

http://www.siliconimage.com/docs/Sil4726Manager_V4.0.0.9.tgz

MAC:

<http://www.siliconimage.com/docs/Sil4726-QIG-Mac1.0.pdf>

GUI utility

http://www.siliconimage.com/docs/Sil_4726_Manager_V4.0.0.9.pkg.zip

Windows

<http://www.siliconimage.com/docs/Sil4726-QIG-Win-1.3.pdf>

GUI Utility

http://www.siliconimage.com/docs/Sil_4726_Manager_V4.0.0.9.zip

Configuration Manager User's Guide

http://www.siliconimage.com/docs/Sil4726_Manager_User's_Guide_v2.6.pdf

Management GUI utility

<http://www.siliconimage.com/support/index.aspx?pid=74&cid=24&>

Warranty Information

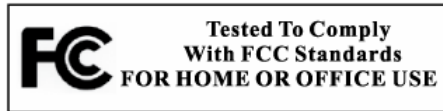
Acknowledgements

IBM, and OS/2 are registered trademarks of International Business Machines Corporation.

Intel and Pentium are registered trademarks of Intel Corporation.

Microsoft and Windows are registered trademarks of Microsoft Corporation.

All other brand names and trademarks used here are trademarks of their respective owners.



This device is in conformance with Part 15 of the FCC Rules and Regulations for Information Technology Equipment. Operation of this product is subject to the following two conditions: (1) This device may not cause harmful interference, and (2) This device accept any interference received, including interference that may cause undesired operation.

FCC NOTICE

This equipment has been tested and found to comply with the limits for a Class B Computing Device, pursuant to Part 15 of the FCC Rules. These limits are designed to provide reasonable protection against harmful interference when the equipment is operated in a residential installation. This equipment generates, uses, and can radiate radio frequency energy and if not installed and used in accordance to the instructions, may cause harmful interference to radio communications. However, there is no guarantee that interference will not occur in a particular installation. If this equipment does cause harmful interference to radio and television reception, which can be determined by turning the equipment off and on, the user is encouraged trying to correct the interference by one or more of the following measures:

- ※ Reorient or relocate the receiving antenna.
- ※ Increase the separation between the equipment and the antenna.
- ※ Connect the equipment into an outlet on a circuit different from that to which the receiver is connected.
- ※ Consult the dealer or an experience radio or TV technician for help.

IMPORTANT

Any changes or modifications not expressly approved by the party responsible for the compliance could void the user's authority to operate this equipment.
This product requires the use of shielded cables in order to comply with FCC requirements.