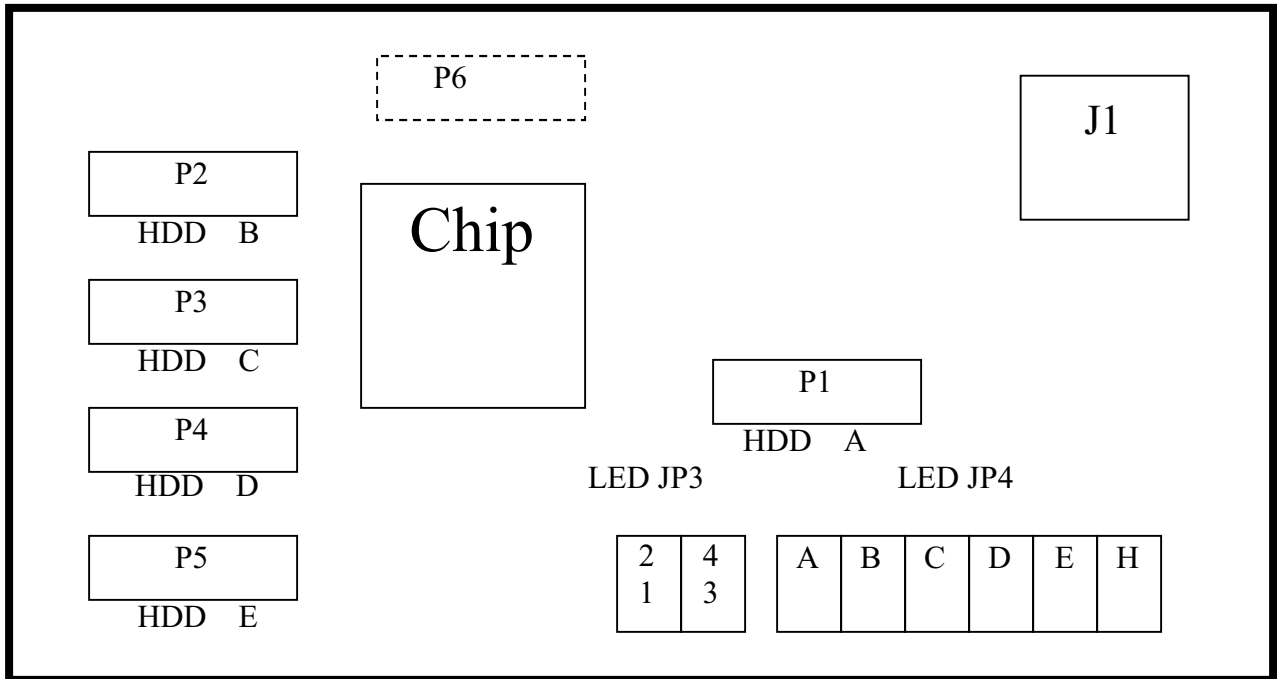


Jumper and LED Pin Header assignments



J1 - Power connector connects to 4pin floppy power connector.

P1 ~ P5 : SATA ports connect to SATA devices; P6: eSATA connect to host controller

LED#	LED Mode	Description
H	Host LED	OFF: No function. ON: Bridge board working & host port connecting. Blink: Host port accessing.
A ~ E	HDD LED	OFF: No function. ON: Bridge board working & host port connecting & Hard drive connecting. Blink:Hard drive accessing.
12(JP3)	Power LED	ON: Bridge board Power on.
34(JP3)	System LED	ON: Bridge board working.