

qBOX-U – A Compact Four Drives USB2.0 Enclosure Guide

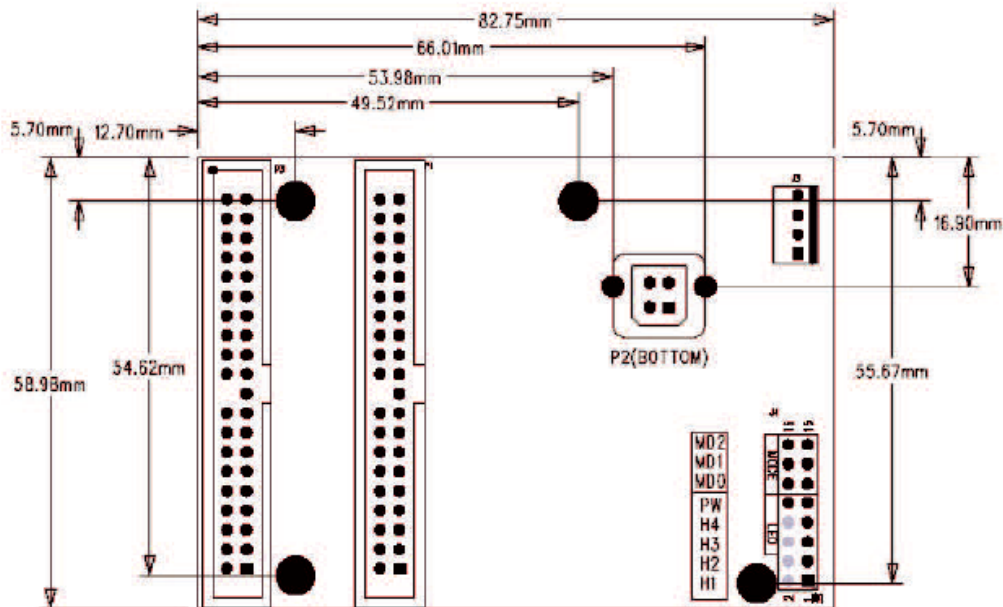
Introduction

One USB2.0 host port communicate and connect up to four ATA / ATAPI-6 Storage Drives.

Features:

- USB2.0 High transfer rate of 480Mbps
- Compliant with Universal Serial Bus Specification Revision 2.0 (Data Rate 1.5 /12/480 Mbps)
- Compliant with Open Host Controller Interface Specification for USB Rev 1.0a
- Supports Spread Spectrum in receiver
- Compliant with ATA / ATAPI-6 specifications
- Compatible with UltraDMA / 66
- Supports three operation modes: 4Disks, 2Disks, 1Disk (JBOD)
- LED Pin Headers for 4 devices & Power On
- Hot-plug and ATAPI support

Board Dimension & Placement



| LED# | LED Mode | Description |
|--------|-----------|--|
| H1 ~H4 | HDD LED | OFF: No HDD ON: Bridge board working & Hard drive existing Blink: Hard drive accessing |
| PW | Power LED | ON: Bridge board Power on |

Jumper Settings

| MODE# | Mode | Description |
|-------|------------|---|
| MD2 | 2 HDD Mode | ON: Combines P1 2 disk drives as one entire disk drive & combines P2 3 disk drives as another entire disk drive |
| MD1 | 1 HDD Mode | ON: Combines 4 disk drives as one entire disk drive |
| MD0 | 4HDD Mode | ON: Separate 4 HDDs |